

(19) World Intellectual Property Organization
International Bureau



(43) International Publication Date
18 August 2005 (18.08.2005)

PCT

(10) International Publication Number
WO 2005/074371 A3

(51) International Patent Classification⁷: A61H 1/02

(21) International Application Number:
PCT/IL2005/000140

(22) International Filing Date: 4 February 2005 (04.02.2005)

(25) Filing Language: English

(26) Publication Language: English

(30) Priority Data:
60/542,022 5 February 2004 (05.02.2004) US
60/566,079 29 April 2004 (29.04.2004) US
60/566,078 29 April 2004 (29.04.2004) US
60/604,615 25 August 2004 (25.08.2004) US
60/633,428 7 December 2004 (07.12.2004) US
60/633,442 7 December 2004 (07.12.2004) US
60/633,429 7 December 2004 (07.12.2004) US

(71) Applicant (for all designated States except US): **MO-TORIKA INC.**; Nerine Chambers, P.O. Box 905, Road Town, Tortola (VG).

(72) Inventors; and

(75) Inventors/Applicants (for US only): **EINAV, Omer** [IL/IL]; 42875 Kfar Monash (IL). **EINAV, Haim** [IL/IL]; 28 Shlush Street, 65149 Tel-Aviv (IL). **ROUSSO, Benny**

[IL/IL]; 12 Henry Bergson Street, 75801 Rishon Lezion (IL). **SHABANOV, Doron** [IL/IL]; 34 Hadkalm Boulevard, 44862 Zur Igal (IL). **KATZIR, Eran** [IL/IL]; 12 Amnon Vetamar Street, 48580 Rosh Ha'Ayin (IL). **BINYAMINI, Gad** [IL/IL]; 45870 Moshav Hagor (IL).

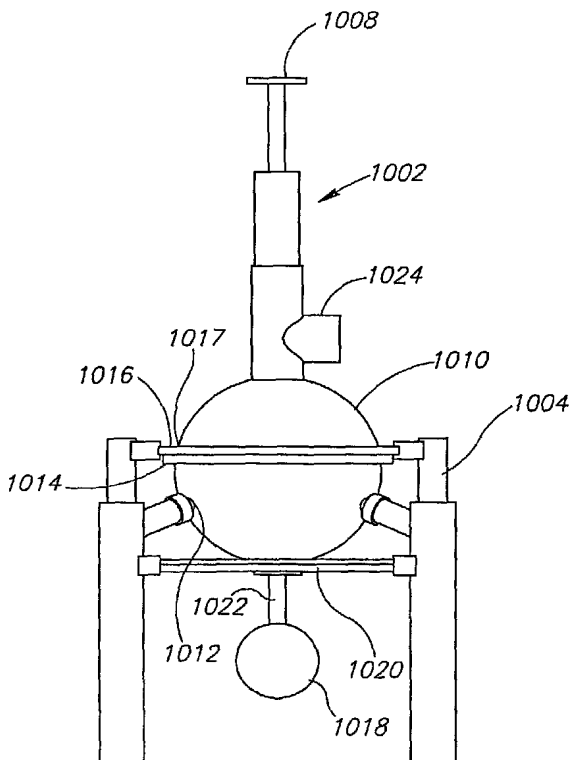
(74) Agents: **FENSTER, Paul** et al.; FENSTER & COMPANY, INTELLECTUAL PROPERTY LTD., P.O. Box 10256, 49002 Petach Tikva (IL).

(81) Designated States (unless otherwise indicated, for every kind of national protection available): AE, AG, AL, AM, AT, AU, AZ, BA, BB, BG, BR, BW, BY, BZ, CA, CH, CN, CO, CR, CU, CZ, DE, DK, DM, DZ, EC, EE, EG, ES, FI, GB, GD, GE, GH, GM, HR, HU, ID, IL, IN, IS, JP, KE, KG, KP, KR, KZ, LC, LK, LR, LS, LT, LU, LV, MA, MD, MG, MK, MN, MW, MX, MZ, NA, NI, NO, NZ, OM, PG, PH, PL, PT, RO, RU, SC, SD, SE, SG, SK, SL, SM, SY, TJ, TM, TN, TR, TT, TZ, UA, UG, US, UZ, VC, VN, YU, ZA, ZM, ZW.

(84) Designated States (unless otherwise indicated, for every kind of regional protection available): ARIPO (BW, GH, GM, KE, LS, MW, MZ, NA, SD, SL, SZ, TZ, UG, ZM, ZW), Eurasian (AM, AZ, BY, KG, KZ, MD, RU, TJ, TM), European (AT, BE, BG, CH, CY, CZ, DE, DK, EE, ES, FI,

[Continued on next page]

(54) Title: METHODS AND APPARATUS FOR REHABILITATION AND TRAINING



(57) Abstract: The invention relates to a rehabilitation device which guides a patient to perform a motion with a correct spatial trajectory, by the device applying one or more pushing, assisting, reminding, responding and/or resisting forces during a motion (or intent to move) by the patient. The forces are applied by an actuator, for example, a robotic articulated arm or a spherically jointed lever. The applied forces act as a force fields, optionally continuous, which impeded and/or guides a patient. The device can be programmable with various trajectories (paths and/or velocities) and/or forces. The forces at one point in the trajectory can vary responsive to an actual trajectory by the patient and/or responsive to a rehabilitation plan and/or improvement of the patient. The device can learn a motion entered by a physiotherapist and replay it for the patient.

WO 2005/074371 A3



FR, GB, GR, HU, IE, IS, IT, LT, LU, MC, NL, PL, PT, RO,
SE, SI, SK, TR), OAPI (BF, BJ, CF, CG, CI, CM, GA, GN,
GQ, GW, ML, MR, NE, SN, TD, TG).

Published:

- *with international search report*
- *before the expiration of the time limit for amending the claims and to be republished in the event of receipt of amendments*

(88) Date of publication of the international search report:
16 March 2006

(15) Information about Correction:

Previous Correction:

see PCT Gazette No. 41/2005 of 13 October 2005, Section II

For two-letter codes and other abbreviations, refer to the "Guidance Notes on Codes and Abbreviations" appearing at the beginning of each regular issue of the PCT Gazette.